

Ethernet Surge Protector

Features

- 1000Mb Data Rate (48V POE Model)
- 7.5V Data Clamping Voltage (24V POE Model)
- CAT5 and CAT5e Compatible. All 8 pins protected.
- Shielded jacks and full metal housing
- Complies with IEC 61643-21 Standard
- Integral Mounting Feet



Applications

- Wireless Access Points and Client Devices
- IP Phone and Security Camera Systems
- Industrial Control Systems

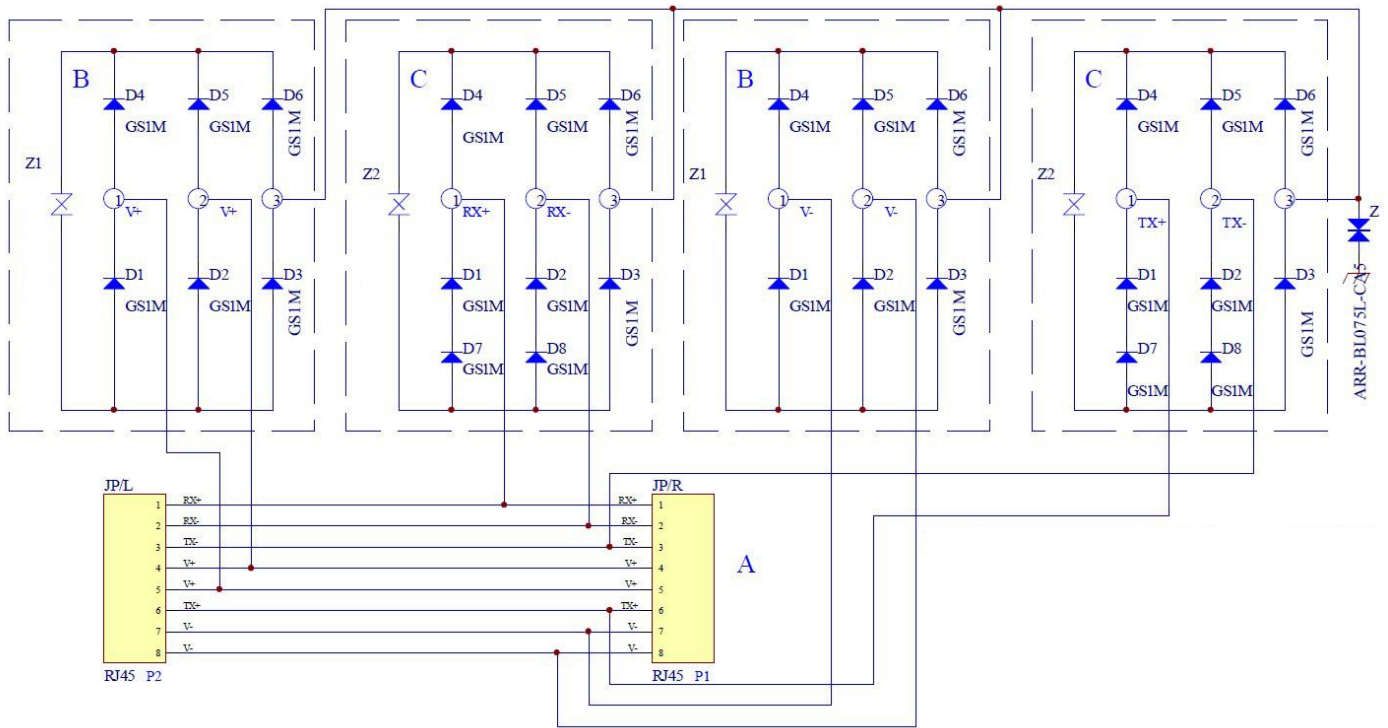
Description

The ESP-100-POE are a low cost Ethernet surge protector to help protect sensitive equipment from surges caused by lightning and grid power fluctuations. They have a full metal body for improved EMI suppression and have integral mounting feet and separate ground wire. They are designed for indoor or outdoor use inside a weatherproof enclosure. The ESP-100-POE is compatible with POE systems up to 48V. The ESP-100-POE24 is for POE systems up to 24V. Protection is provided on all 8 CAT5 wires.

Specifications

	TP-ESP-1000-POE	TP-ESP-100-POE24
Operating Voltage	Data 5V ; POE 48V	Data 5V ; POE 24V
Clamping Voltage	70V POE (All 8 Pins)	7.5V Data (Pins 1,2,3,6) 40V POE (Pins 4,5,7,8)
Max Surge Discharge Current	5KA (8/20us)	5KA (8/20us)
Peak Pulse Current	100A (10/1000us)	100A (10/1000us)
Protection Mode	Differential & Common Mode	Differential & Common Mode
Insulation Resistance	>1000 MOhm	>1000 MOhm
Shunt Capacitance	< 25 pF	< 25 pF
Data Rate	10/100/1000 Mbps	10/100 Mbps
Response Time	<5 ns	<5 ns
Operating Temperature	-20 to +60°C	-20 to +60°C
Storage Temperature	-40 to +80°C	-40 to +80°C
Operating Humidity	0% to 95% non condensing	0% to 95% non condensing
Size (L x W x H)	4 x 1 x 1" (102 x 25 x 25mm)	3.2 x 1 x 1" (82 x 25 x 25mm)
Weight	3.1oz (88g)	2.4oz (68g)
Ground Wire	14 AWG, 10" (26cm) long	14 AWG, 10" (26cm) long
Connectors	RJ45 Shielded Jacks	RJ45 Shielded Jacks
IEC Standard	61000-4-5, 61643-21	61000-4-5, 61643-21
IEEE/ ANSI Standard	C62.45	C62.45

Schematic



Notes:

- All shipments F.O.B. Bluffdale, UT 84065
- Tycon Power Systems Surge Protectors carry a 2 year limited warranty

System Ordering:

TP-ESP-1000-POE

1000Mb Network Lightning/ Surge Suppressor 70V Clamping for 48V POE

TP-ESP-100-POE24

100MB Network Lightning/ Surge Suppressor 7.5V/40V Clamping for 24V POE

For further information contact:

Tyconpower.com

